

# Schenkelfedern / Torsion spring

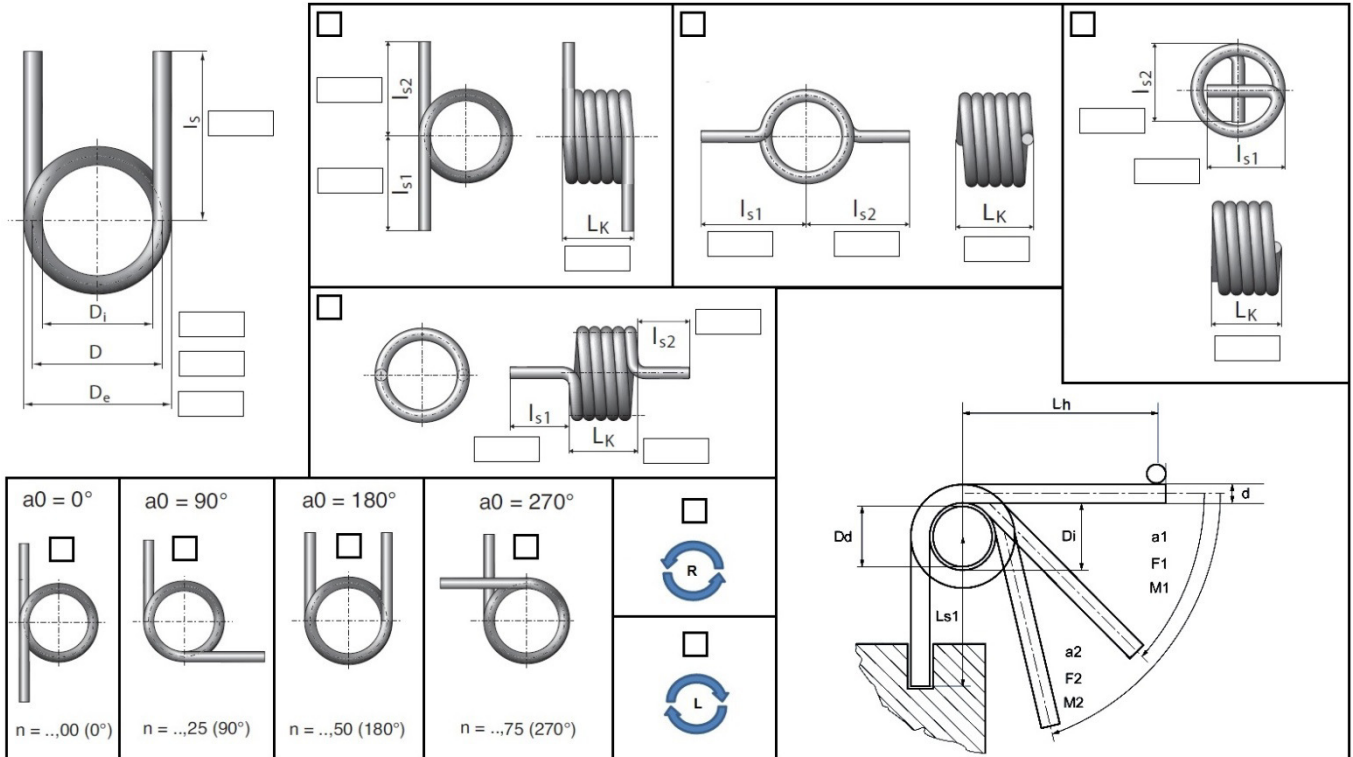
## Ressorts de torsion

### Molla di torsione



Request /  Order / Quantity = \_\_\_\_\_

Your address: \_\_\_\_\_



$d =$  \_\_\_\_\_  $L_h =$  \_\_\_\_\_ mm

$a_1^\circ =$  \_\_\_\_\_ Grad.  $F_1 =$  \_\_\_\_\_ Newton.  $M_1 =$  \_\_\_\_\_ N/mm.

$a_2^\circ =$  \_\_\_\_\_ Grad.  $F_2 =$  \_\_\_\_\_ Newton.  $M_2 =$  \_\_\_\_\_ N/mm.

Material:  1.4310 /  EN-10270-1 / other \_\_\_\_\_

More details:

.....

.....

.....

.....

.....

.....

.....

